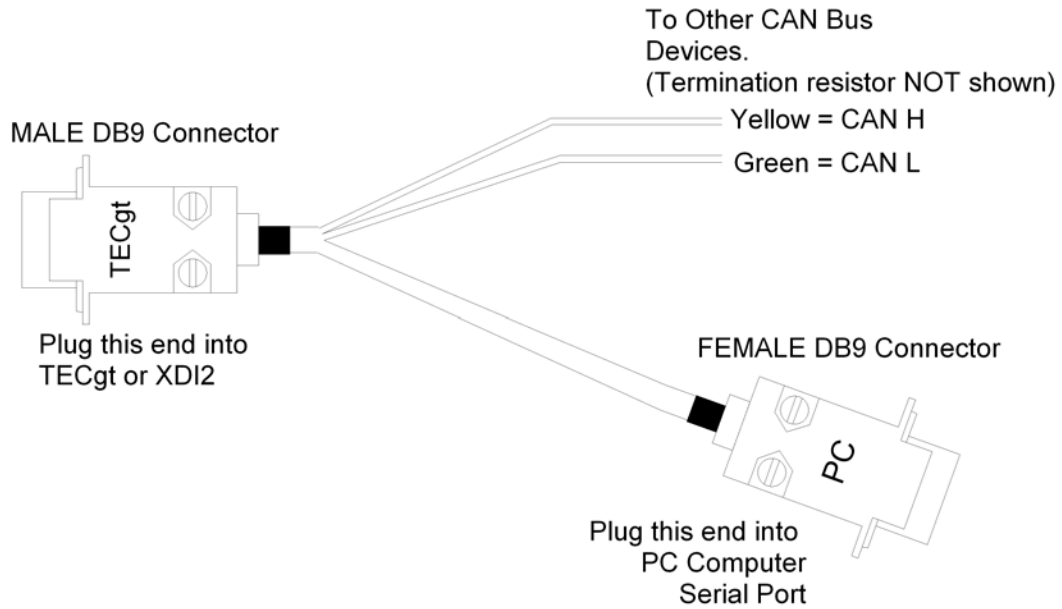


# Wiring the TEC<sup>GT</sup> to a CAN Bus



The Yellow and Green wires connect to the CAN network. CAN networks require 120ohm-terminating resistors at each end of the network trunk (see below).

