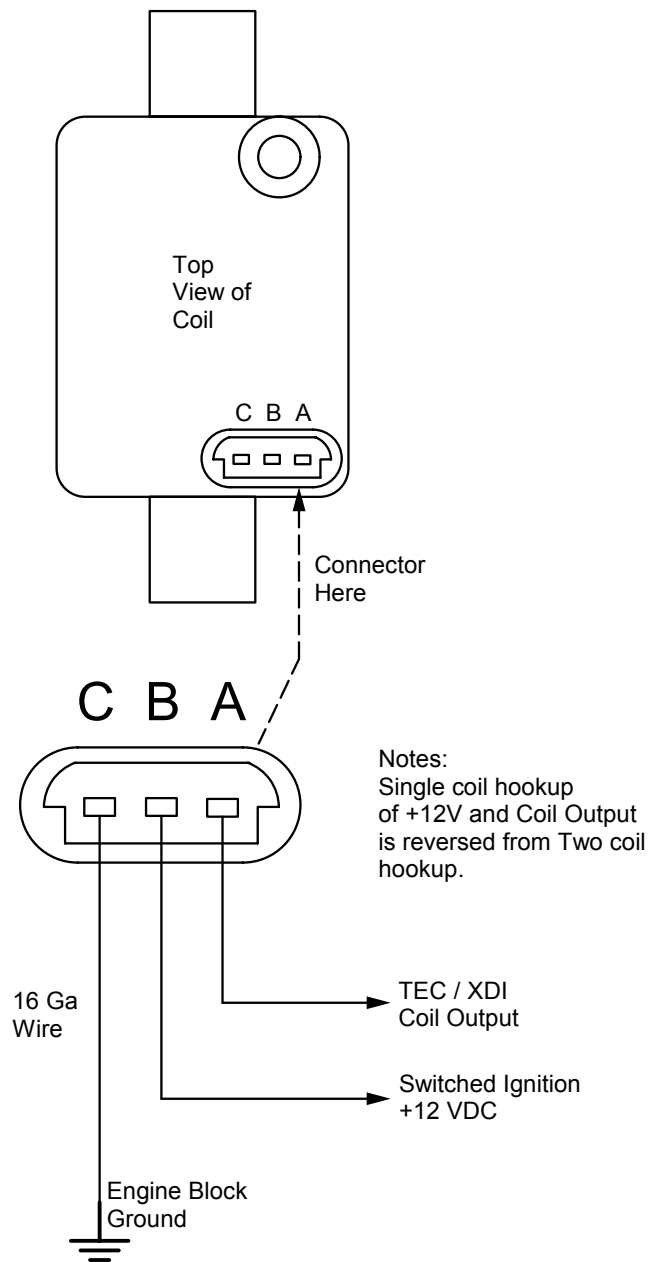


Two Coil Per Output Hookup



Single Coil Per Output Hookup